



# **KNOTTY PINE DIY BARN DOOR**

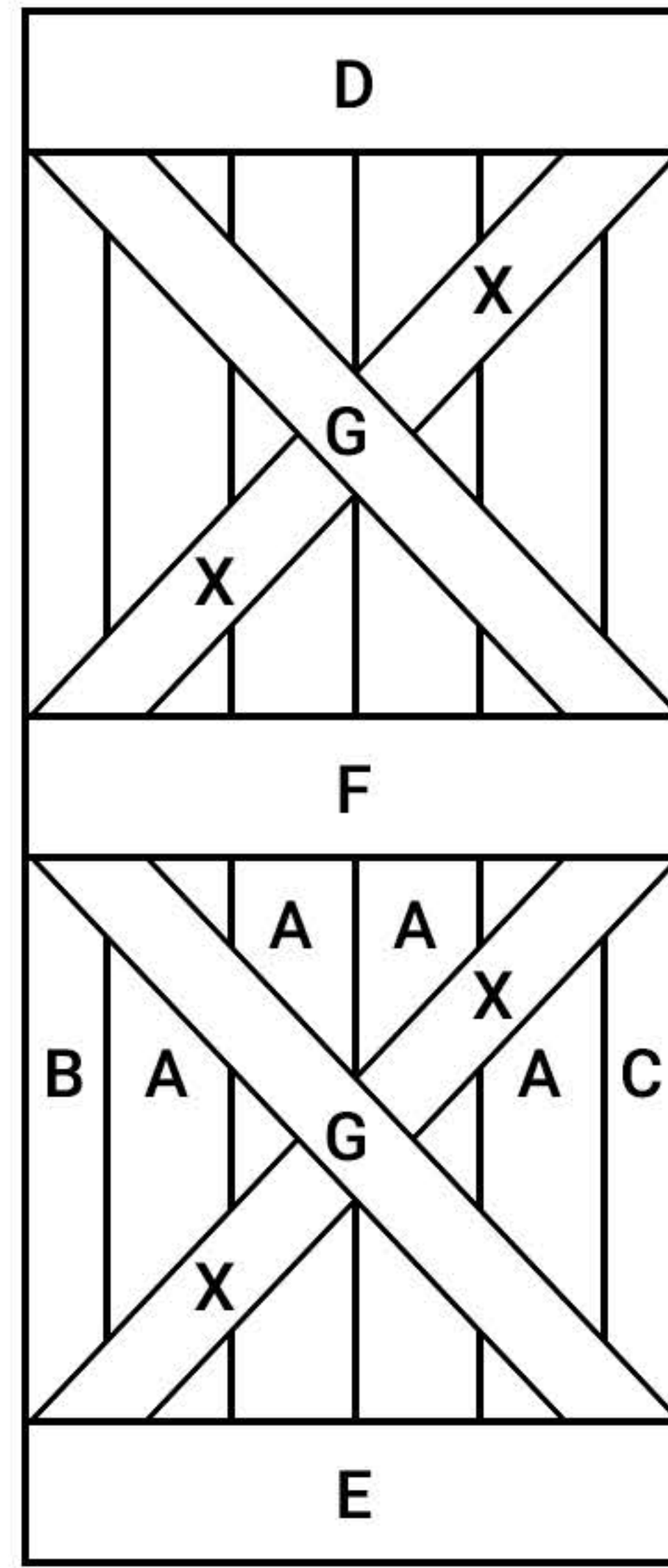
Instruction for assembling

Questions, problems, missing parts?

call Akicon Customer Service 8 a.m.-6p.m. EST, Monday-Friday

Phone: +1(302)213 4406, Email: [support@akiconshop.com](mailto:support@akiconshop.com)

**AKICONSHOP.COM**



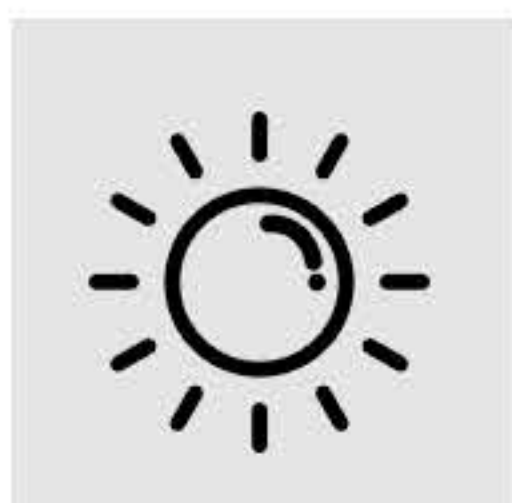
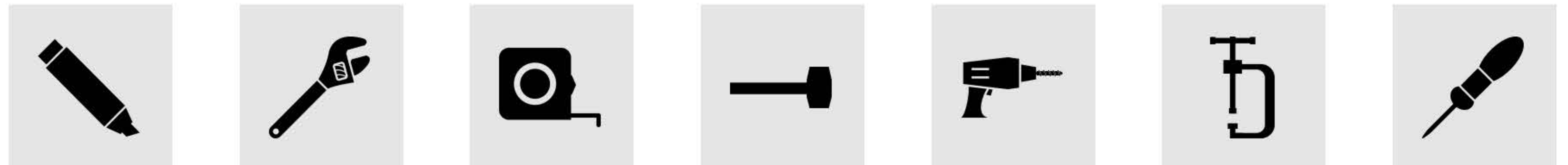
Top/Bottom X Series

## SIDE VIEW

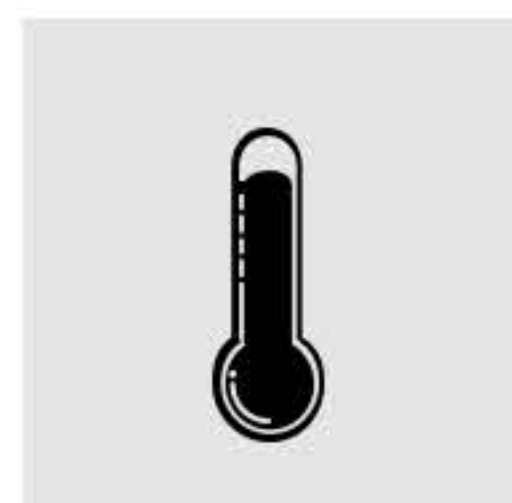
A: Middle Plank		E: Bottom Plank	
B: Left Outside Plank		F: Central Plank	
C: Right Outside Plank		G: Cross Plank	
D: Top Plank		X: X Plank	

<b>SIZE</b>	<b>SINGLE DOOR</b>	<input type="checkbox"/> 24" × 84"	<input type="checkbox"/> 28" × 84"	<input type="checkbox"/> 30" × 84"	<input type="checkbox"/> 36" × 84"	<input type="checkbox"/> 38" × 84"	<input type="checkbox"/> 42" × 84"
	<b>DOUBLE DOORS</b>	<input type="checkbox"/> 48" × 84"	<input type="checkbox"/> 56" × 84"	<input type="checkbox"/> 60" × 84"	<input type="checkbox"/> 72" × 84"	<input type="checkbox"/> 76" × 84"	<input type="checkbox"/> 84" × 84"

## TOOLS NEEDED



Avoid direct sunlight.



Avoid moisture.

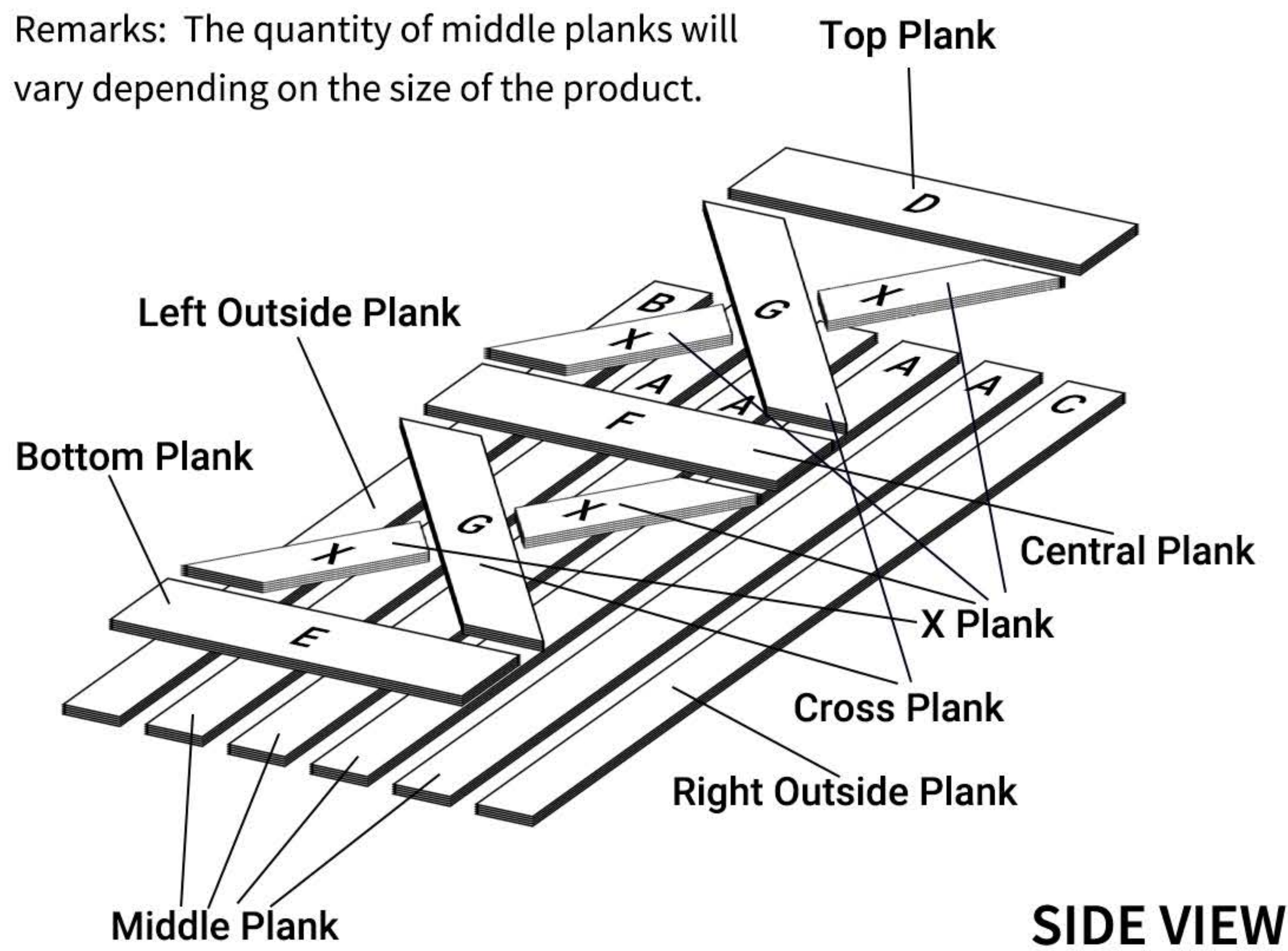


Avoid rain.

### Top/Bottom X Series

#### STEP 01 : Parts Included

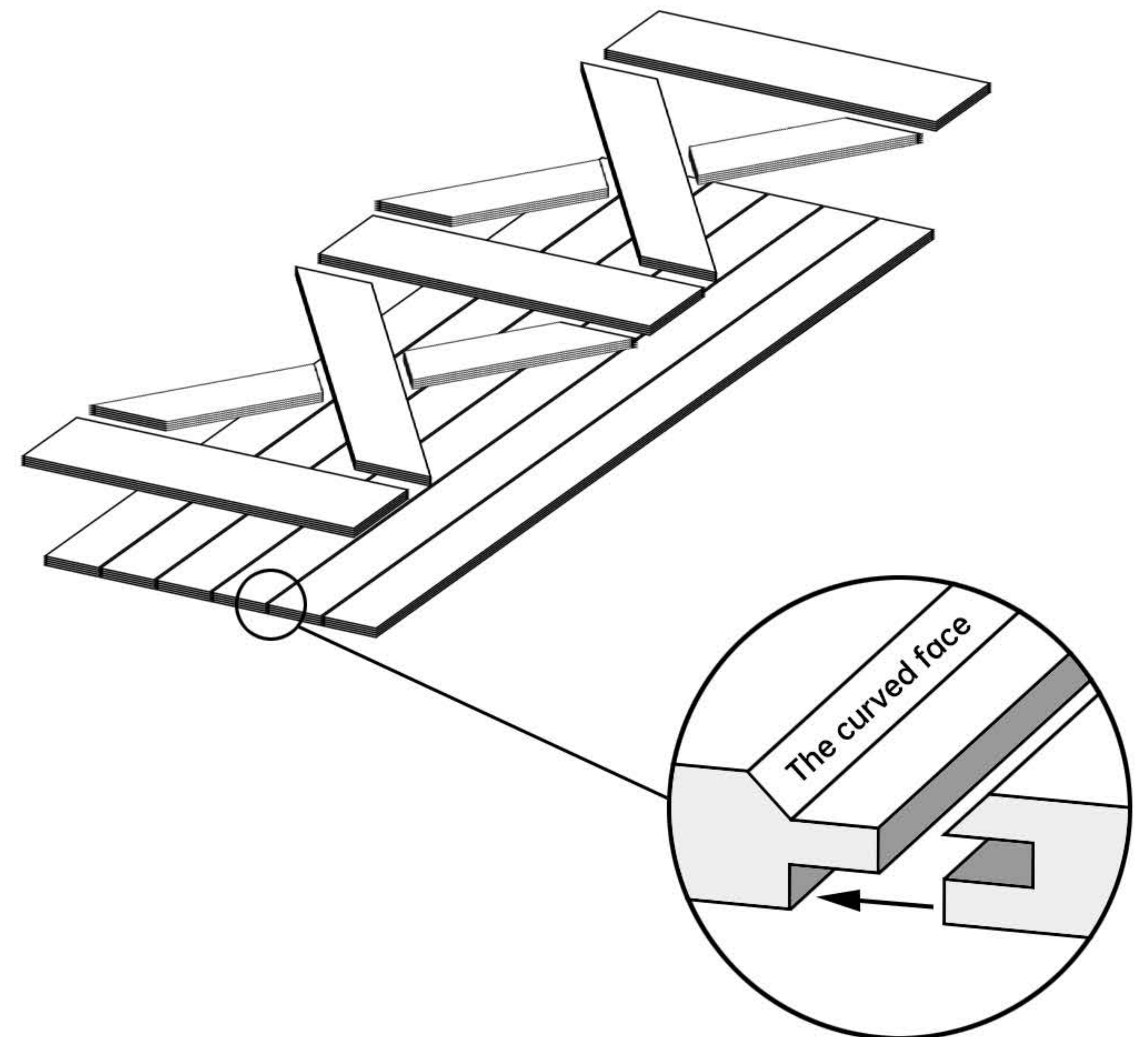
Remarks: The quantity of middle planks will vary depending on the size of the product.



**SIDE VIEW**

A: Middle Plank		E: Bottom Plank	
B: Left Outside Plank		F: Central Plank	
C: Right Outside Plank		G: Cross Plank	
D: Top Plank		X: X Plank	

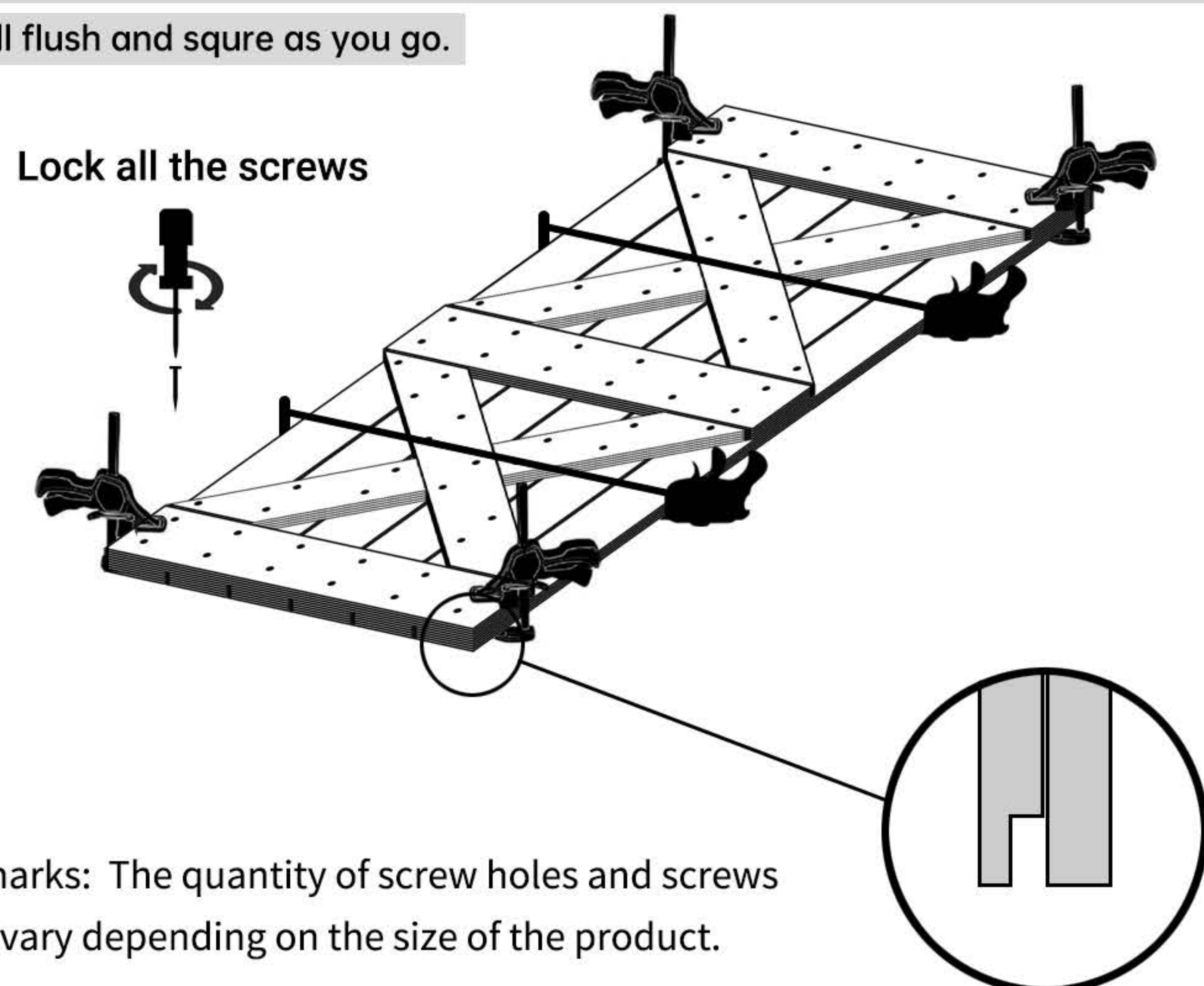
#### STEP 02 : Combine lower planks



The curved face of the plank should be up.

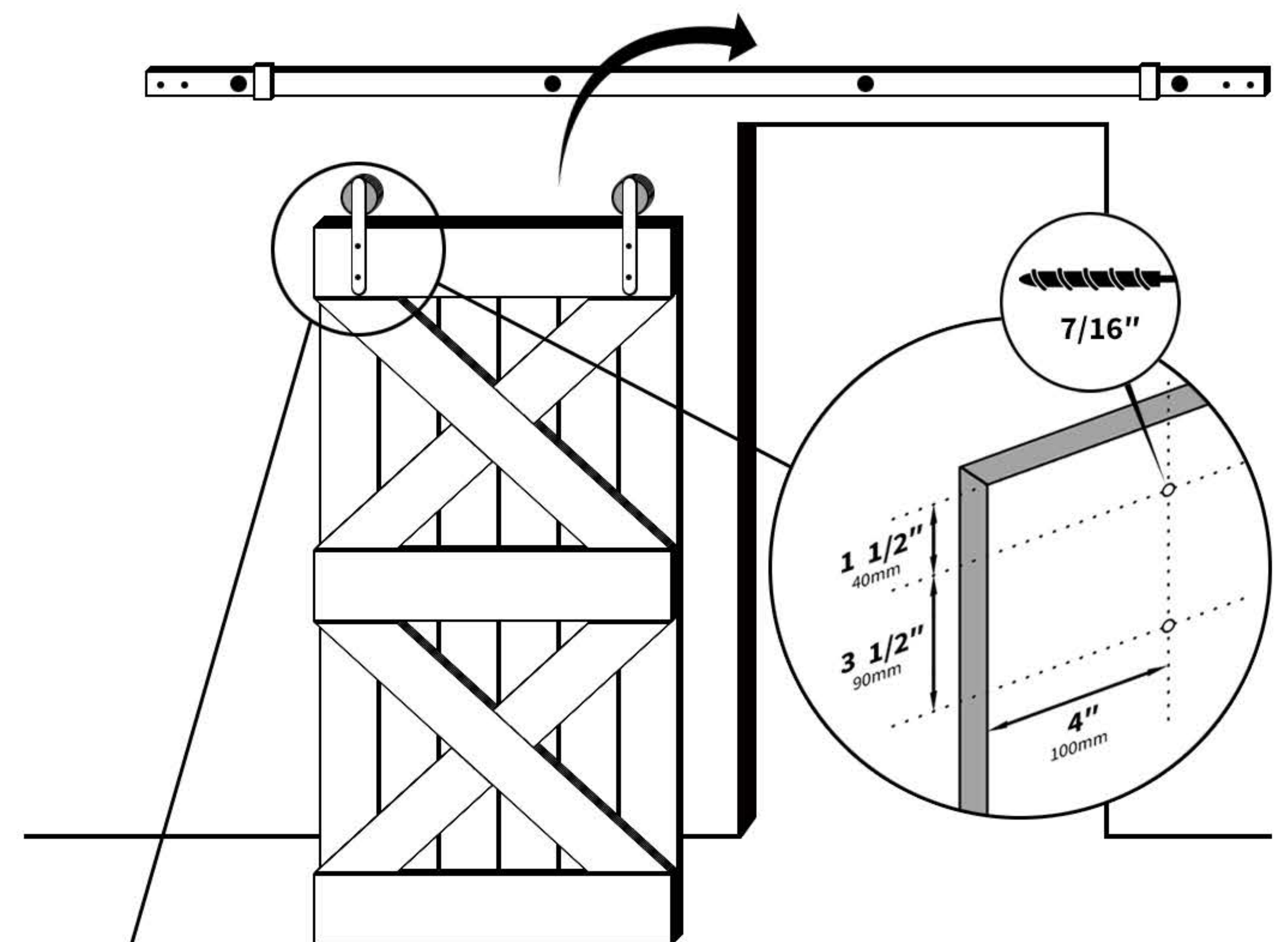
#### STEP 03 : Combine upper and lower planks

Once all planks are flush and square, secure the top and bottom planks with the screws provided. Using the clamps secure all 4 corners. With the pre-drilled holes as your guide, drill (1/8"bit) a shallow pilot hole into 4 corner holes. Do not drill completely through the door plank. Using a screw driver insert screws into the 4 corner pre-drilled holes. Continue process with the remaining screws. Make sure all screws are installed and secure. It is important to check that all planks are still flush and square as you go.



Remarks: The quantity of screw holes and screws will vary depending on the size of the product.

#### STEP 04 : Installing door and track



Screw holes door hangers are not pre-drilled on door. To install door hangers, you need to drill holes on your door.