



USE AND CARE GUIDE

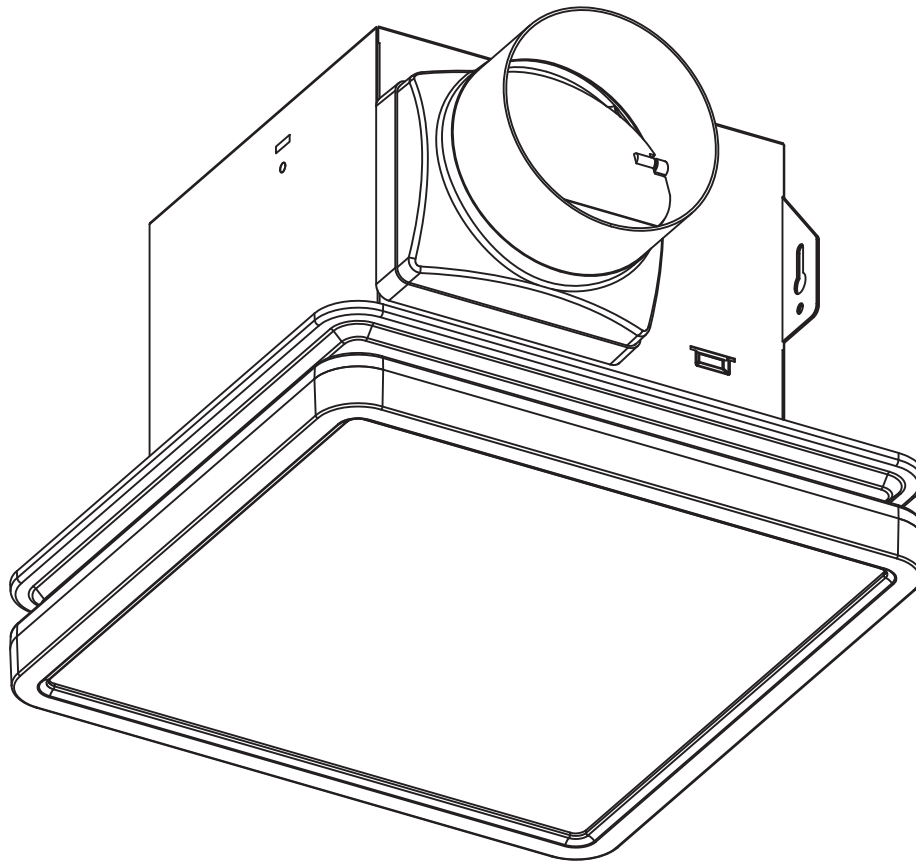
AK1314K2-W

AK1314K2-B

AK1314K2-S

Bathroom Ventilation Fan with Light

READ AND SAVE THESE INSTRUCTIONS



Questions, problems, missing parts? Before returning to the store,
call AKICON Customer Service

8 a.m.-6 p.m., EST, Monday-Friday

TOLL FREE: +1 (888) 828 2025

service@akiconhvac.com

akiconhvac.com

Table of Contents


Safety Information 2
Warranty 3
Product Specifications 3
Typical Installation 3
Pre-Installation 4
 Wiring Diagrams 4
 Quick Connector Instructions 4
 Planning Installation 4
 Tools Required 5
 Package Contents 5


Installation - New Construction 6
Installation - Existing Construction 8
Ventilation Fan Operation 11
Care and Maintenance 11
Troubleshooting 11


Safety Information


PLEASE READ AND UNDERSTAND THIS ENTIRE MANUAL BEFORE ATTEMPTING TO ASSEMBLE, OPERATE OR INSTALL THE PRODUCT.


1. Always disconnect the power supply prior to servicing the fan, motor or junction box.
2. Follow all local building, safety and electrical codes as well as NEC (National Electrical Code) and OSHA (Occupational Safety and Health Act).
3. Electric Service supply must be 120 volts, 60 hertz.
4. This product must properly connect to the grounding conductor of the supply circuit.
5. Do not bend or kink the power wires.
6. Do not use this fan with any solid state control device, such as a remote control, dimmer switch, or certain timers. Mechanical timers are not solid state devices.
7. Do not install in a ceiling with insulation greater than R40.
8. Duct work should be installed in a straight line with minimal bends.
9. Duct work size must be the same size as the discharge and should not be reduced. Reducing the duct size may increase fan noise.
10. If this unit is to be installed over a tub or shower, it must be marked as appropriate for the application. When the fan is going to install in the bathroom, the fan and the tub need to be more than 1.0 meter between each other, the fan required to install at the other side of the tub in ceiling. Acceptable for use over a bathtub or shower when installed in a GFCI protected branch circuit.


 **WARNING: TO REDUCE THE RISK OF FIRE, ELECTRIC SHOCK, OR INJURY TO PERSONS, OBSERVE THE FOLLOWING:**
Use this unit in the manner intended by the manufacturer. If you have any questions. Please call customer service.


 **WARNING:** Before servicing or cleaning unit, switch power off at service panel and lock the service disconnecting means to prevent power from being switched on accidentally. When the service disconnecting means cannot be locked, securely fasten a prominent warning device, such as a tag, to the service panel.

 **WARNING:** Installation work and electrical wiring must be done by a qualified person(s) in accordance with all applicable codes and standards, including fire-rated construction.


 **WARNING:** Sufficient air is needed for proper combustion and exhausting of gases through the flue (chimney) of fuel burning equipment to prevent backdrafting. Follow the heating equipment manufacturer's guideline and safety standards such as those published by the National Fire Protection Association (NFPA), and the American Society for Heating, Refrigeration and Air Conditioning Engineers (ASHRAE) and local code authorities.

 **WARNING:** When cutting the ceiling, do not damage electrical wiring and other hidden utilities.

 **WARNING:** Ducted fans must always be vented to the outdoors.

 **CAUTION:** For general ventilating use only. Do not use to exhaust hazardous or explosive materials and vapors.

 **CAUTION:** Not for use in cooking areas.

 **CAUTION:** To reduce the risk of injury to persons, install the fan at least 7.6 ft. (2.1 m) above the floor.

Warranty

LIMITED 3-YEAR WARRANTY

If this product fails due to a defect in materials or workmanship at any time during the first ONE years of ownership, the manufacturer will replace it free of charge, postage-paid at their option. This warranty does not cover products that have been abused, altered, damaged, misused, cut or worn. This warranty does not cover use in commercial applications. Use only manufacturer-supplied genuine warranty repair replacement parts to repair this fan. Use of non-genuine repair parts will void your warranty. The manufacturer **DISCLAIMS** all other implied or express warranties including all warranties of merchantability and/or fitness for a particular purpose. As some states do not allow exclusions or limitations on an implied warranty, the above exclusions and limitations may not apply. This warranty gives you specific legal rights, and you may have other rights that vary from state to state.

This warranty is limited to the replacement of defective parts only. Labor charges and/or damage incurred during installation, repair, replacement as well as incidental and consequential damages connected with the above are excluded. Any damage to this product as a result of neglect, misuse, accident, improper installation or use other than the purpose **SHALL VOID THIS WARRANTY**. Shipping costs for Shipping costs for return product as part of a claim on the warranty must be paid for by the customer.

Inquires regarding warranty claims can be directed to +1 (888) 828 2025, 8 a.m. - 6 p.m., EST, Monday - Thursday, 8 a.m. - 5 p.m. EST, Friday.

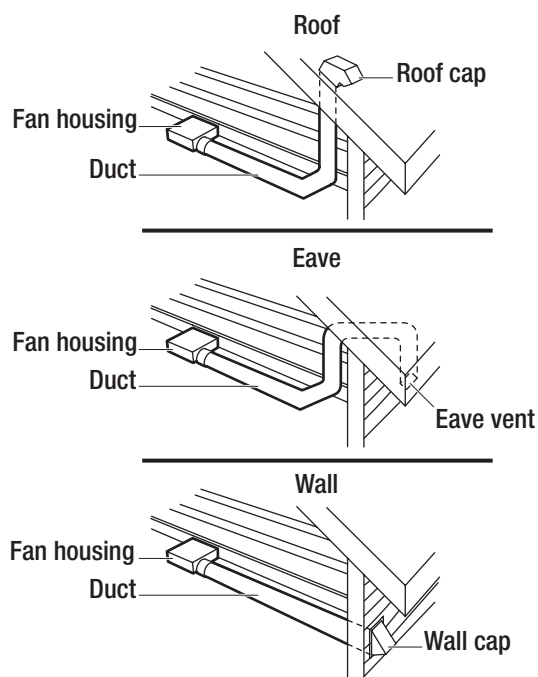
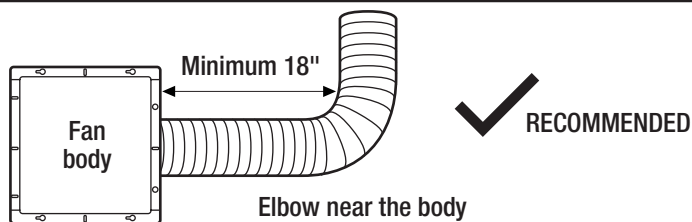
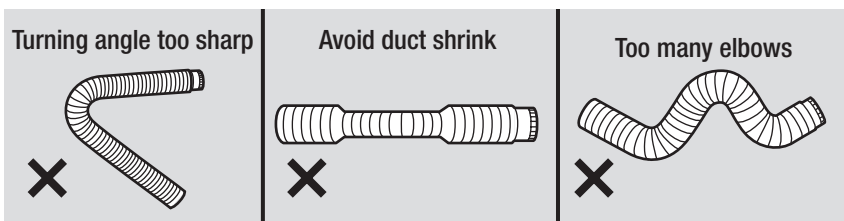
Product Specifications

Airflow: 80 CFM	Power consumption: 19 W
120 V, 60 Hz	Weight: 6.57 lbs.
Duct diameter: 4 in.	Ceiling Opening Dimension Requirements:
Sound output: 2.0 Sones	7.6 in. (L) x 7.3 in. (W) x 6.2 in. (H)

Typical Installation

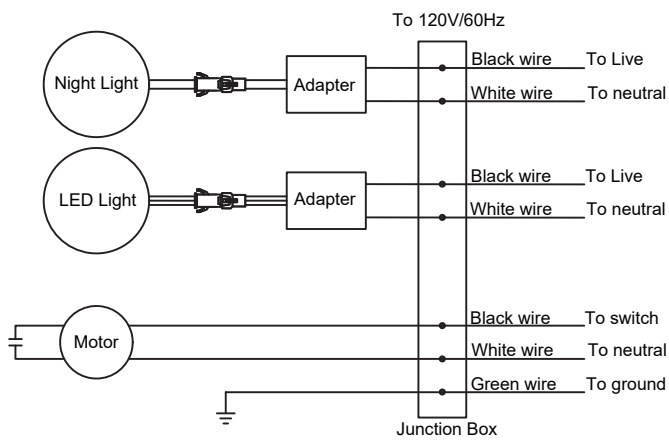
The ducting from this fan to the outside of the building has a strong effect on the air flow, noise and energy use of the fan. Use the shortest, straightest duct routing possible for best performance, and avoid installing the fan with smaller ducts than recommended. Insulation around the ducts can reduce energy loss and inhibit mold growth. Fans installed with existing ducts may not achieve their rated air flow.

Do not install ventilation fan in areas where the duct work will require configuration as shown.



Pre-Installation

WIRING DIAGRAMS



QUICK CONNECTOR INSTRUCTIONS

To be sold only with installation instructions.

WARNING: Wiring must comply with all applicable electrical codes. Turn OFF power before removing or installing connectors.

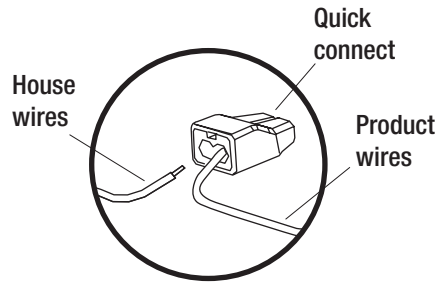
WARNING: COPPER TO COPPER ONLY. Do not use Aluminum wire.

CAUTION: Accessory part quick connector (not included) should meet installation instructions below.

NOTICE: The connector is reusable on solid wires of the same wire gage or smaller. Do not reuse the connector on stranded wires.

NOTICE: Important wire information. Maximum temperature rating 105°C (221°F). 600 volts maximum for building wire and 1000 volts maximum for building wire and 1000 volts maximum in signs and lighting fixtures. The acceptable wire range includes: Solid: 12-18 AWG.

- Strip wires 3/8 in. - 1/2 in.
- Grip the wire firmly and push the stripped end of the wire into the open port of the connector. Use only one conductor per port.
- Verify the stripped end of the wires is fully inserted to the back of the connector.



PLANNING INSTALLATION

Before beginning installation of the product, make sure all parts are present. Compare parts with the package contents list and hardware contents. If any part is missing or damaged, do not attempt to install the product.

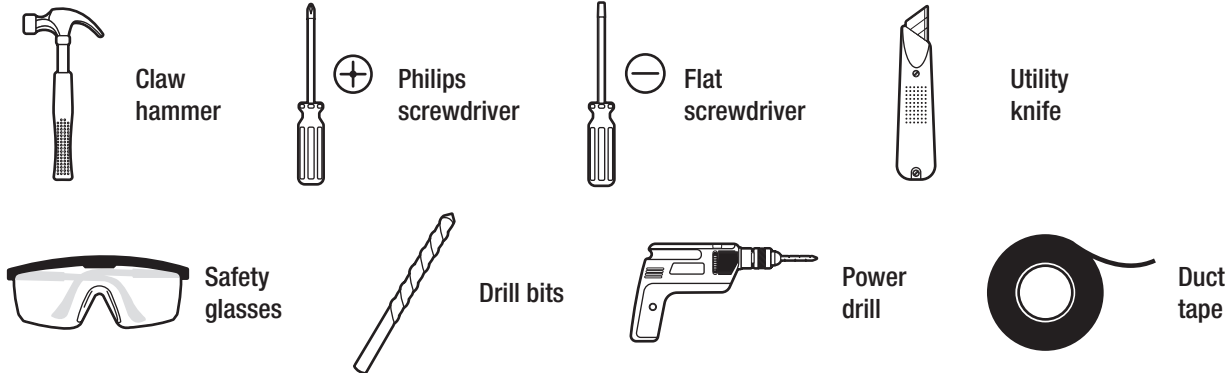
WARNING: Turn off electricity at breaker box before beginning installation.

NOTE: Installation may vary depending on how the previous bath fan was installed. Supplies necessary for the installation of your bath fan are not all included. However, most are available at your local home improvement or hardware store.

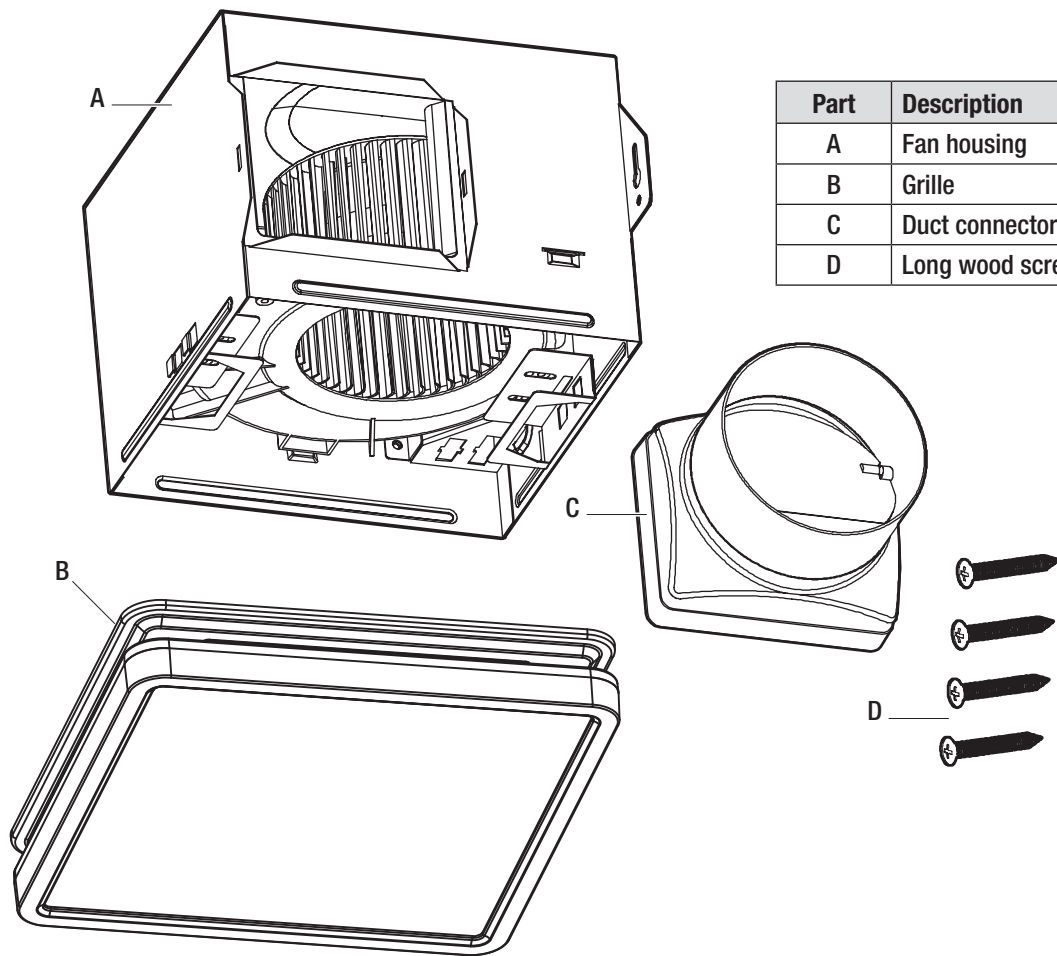
1. Carefully remove the unit from the carton.
2. Check the area above the installation location to be sure that wiring can run to the planned location, that duct work can be run and the area is sufficient for proper ventilation.
3. Inspect duct work and wiring before proceeding with installation.
4. Before installation, provide inspection and future maintenance access at a location that will not interfere with installation work.
5. You may need the help of a second person to install this fan; one person on the attic side and one on the room side.

Pre-Installation (continued)

TOOLS REQUIRED



PACKAGE CONTENTS



Part	Description	Quantity
A	Fan housing	1
B	Grille	1
C	Duct connector	1
D	Long wood screws (M4 x 30 mm)	4

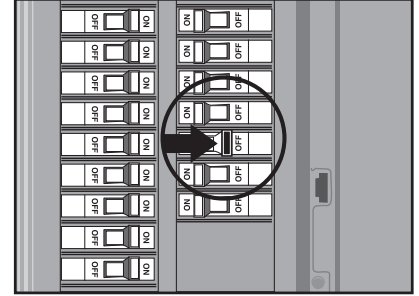
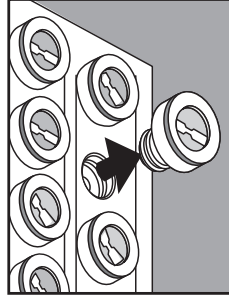
Installation - New Construction



CAUTION: Make sure power is switched off at service panel before starting installation.

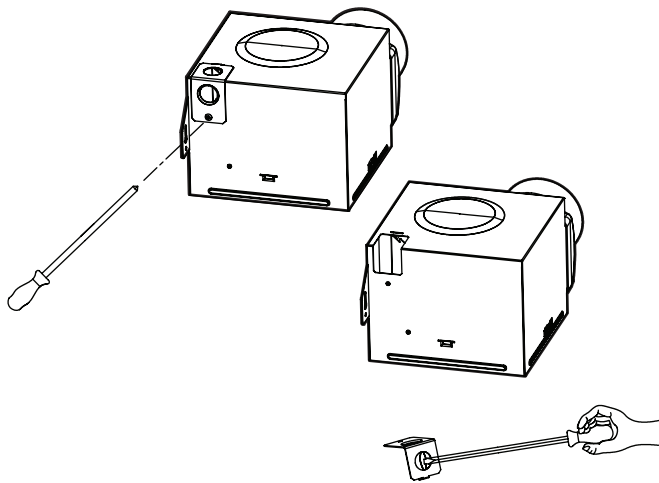


NOTE: Ceiling mount only.



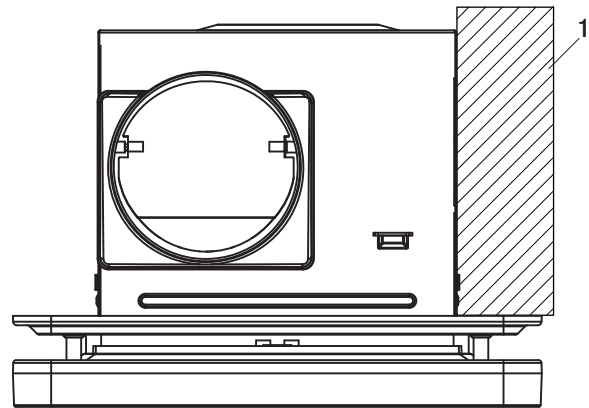
1 Removing the wiring box housing

- Remove the wiring box cover from the fan housing with a Phillips head screwdriver (not included).
- Remove the wiring knockout from the wiring box cover with a flathead screwdriver (not included).



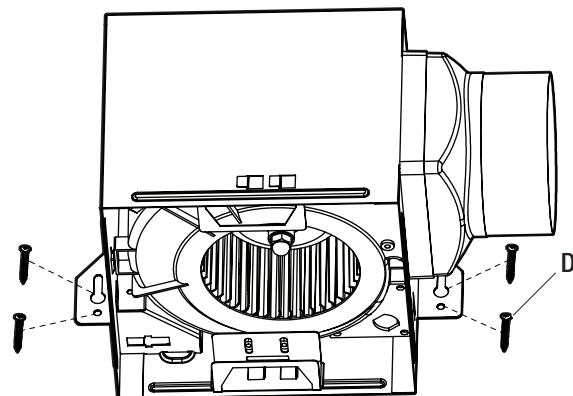
2 Placing the fan housing

- Place the fan housing next to a ceiling joist or wall stud. The fan housing should be level and perpendicular to the joist or stud (1).



3 Mounting the fan housing

- Mount the fan housing to the joist using four long wood screws (D) where indicated.



Installation - New Construction (continued)

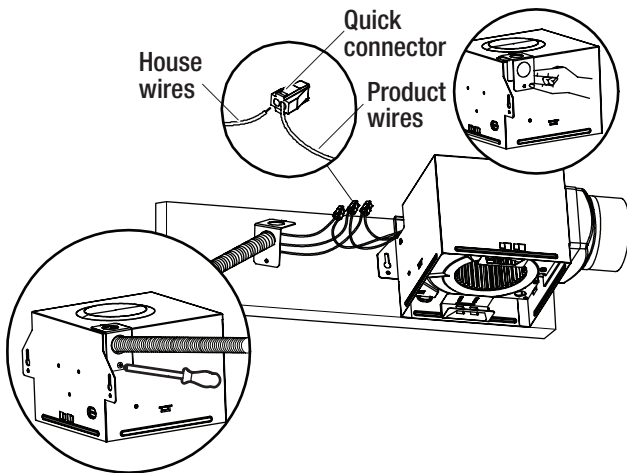
4 Connecting the house and fan wires

- Pull the wire through the hole and into the junction box (not included). Using a quick connector, secure 120 VAC house wiring from the wall switch to the fan as shown in the wiring diagram. 14AWG is the smallest conductor that shall be used for branch-circuit wiring.



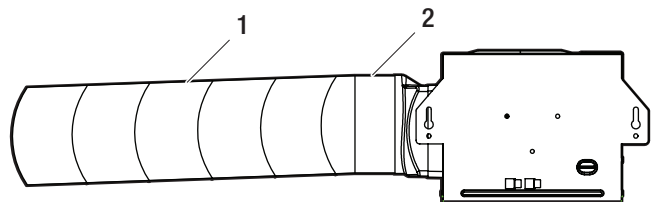
CAUTION: Make sure power is switched off at service panel before starting installation.

- Push the wires back through the hole. Reattach the wiring box cover.



5 Installing the duct

- Install a circular 4 in. duct (not included) and secure it with duct tape or clamps (neither included).
- Finish ceiling work. The ceiling hole should be aligned with the edge of the fan housing.

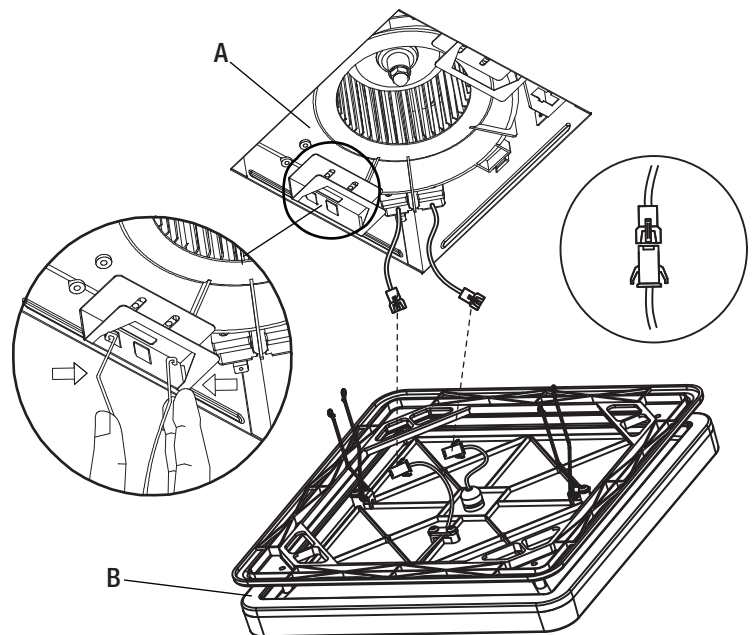


6 Installing the grille

- Join the connectors for the light from the fan housing (A) to the grille (B). The grille (B) must be connected **BEFORE** turning on power to the fan.
- Pinch the mounting springs on the grille (B) and insert them into the narrow rectangular slots inside the fan (A). Push the grille (B) up toward the ceiling.
- Turn on electricity at the breaker box after finishing installation.



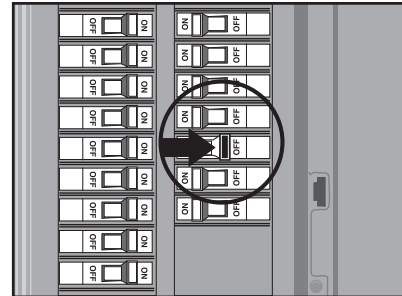
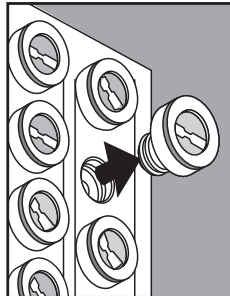
NOTE: Make sure the mounting spring is properly loaded into the fan slots.



Installation - Existing Construction

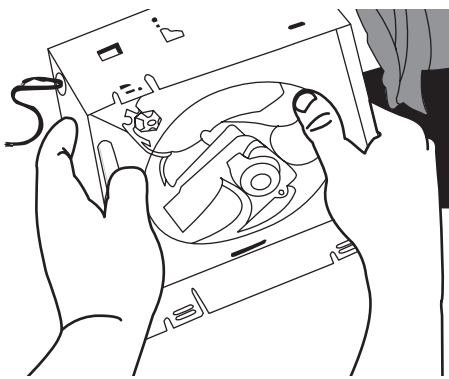


CAUTION: Make sure power is switched off at service panel before starting installation.



1 Removing the existing fan

- Remove the old fan from the ceiling.



2 Measuring the ceiling opening

- Measure the opening to assure it is large enough to accommodate the new fan body (A) (7.60 in. x 7.30 in.).

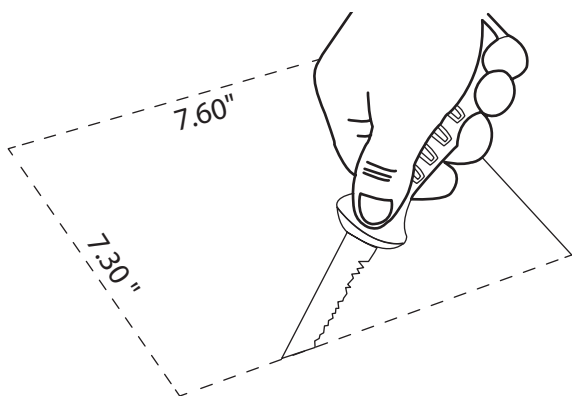


NOTE: 7.30 in. side of opening should be flush with the joist.



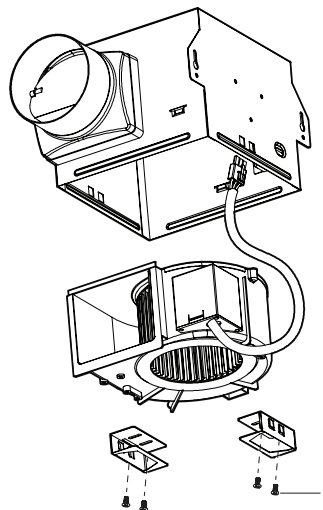
3 Enlarging the opening (optional)

- If this fan is not replacing an old fan, be sure to cut a 7.60 in. x 7.30 in. opening for the fan body (A).
- ENSURE THE 7.30 IN. SIDE OF THE OPENING IS FLUSH WITH THE JOIST FOR INSTALLATION FROM BELOW.**



4 Removing the fan motor assembly

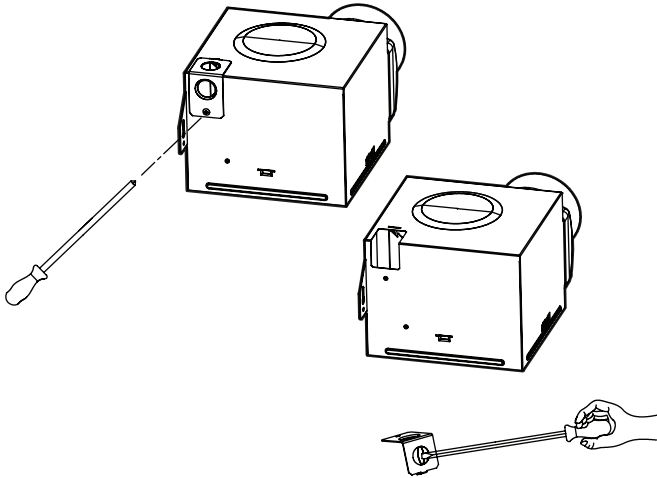
- Remove the four screws (1) that hold the fan motor assembly in place. Remove the fan motor assembly from the fan housing. Unplug the fan power unit.



Installation - Existing Construction (continued)

5 Removing the wiring box housing

- Remove the wiring box cover from the fan housing with a Phillips head screwdriver (not included). Remove the wiring knockout from the wiring box cover with a flathead screwdriver (not included).



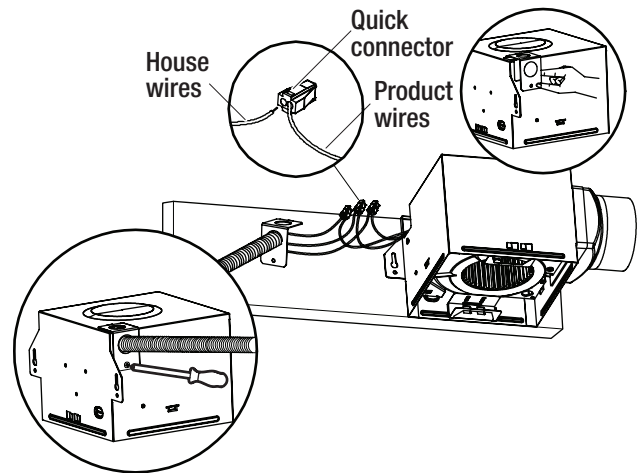
6 Connecting the house and fan wires

- Pull the wire through the hole and into the junction box (not included). Using a quick connector, secure 120 VAC house wiring from the wall switch to the fan as shown in the wiring diagram. 14AWG is the smallest conductor that shall be used for branch-circuit wiring.



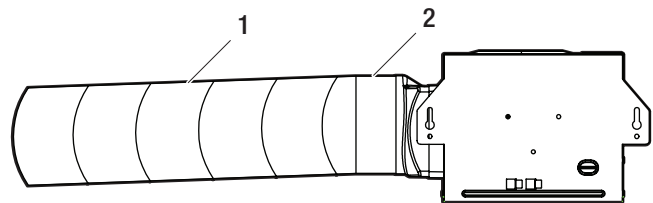
CAUTION: Make sure power is switched off at service panel before starting installation.

- Push the wires back through the hole. Reattach the wiring box cover.



7 Installing the duct

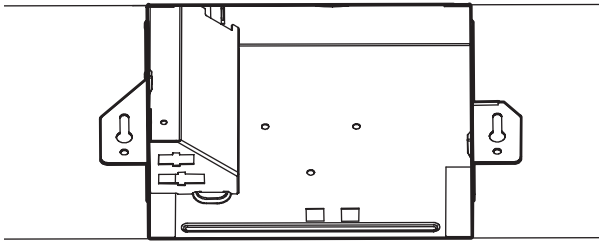
- Install a circular 4 in. duct (not included) (1) and secure it with duct tape or clamps (neither included) (2).
- Finish ceiling work. The ceiling hole should be aligned with the edge of the fan housing.



Installation - Existing Construction (continued)

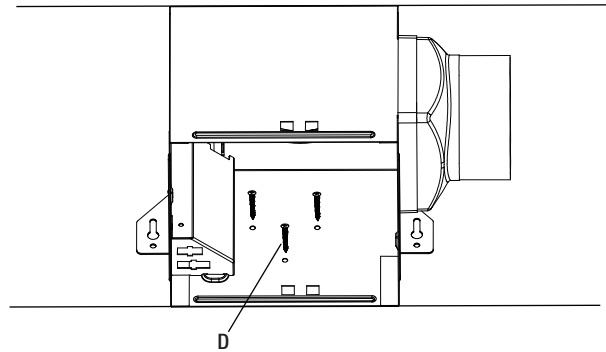
8 Inserting the fan housing

- Insert the fan housing through the existing hole in the ceiling. The fan housing should be level and perpendicular to the joist or stud.



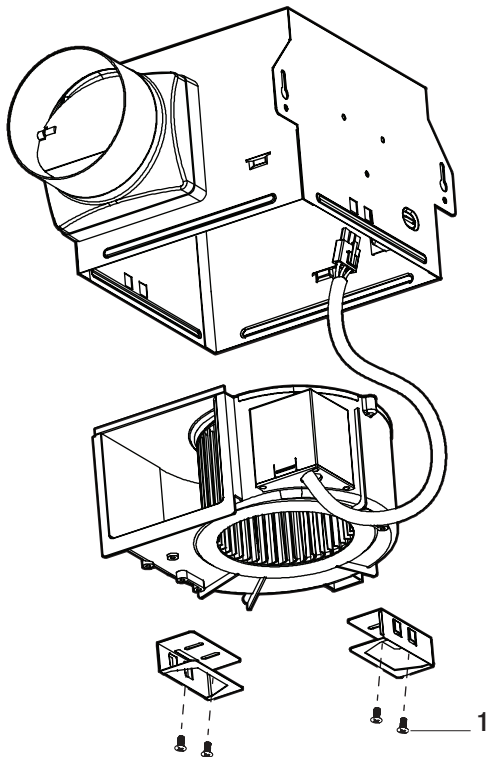
9 Mounting the fan housing to the joist

- Mount the fan housing to the joist using three long wood screws (D) where indicated by arrows inside the fan housing mounted in the ceiling.



10 Reattaching the motor assembly

- Plug the motor assembly back into the power unit. Reattach the motor assembly using the four screws (1) removed in step 4.

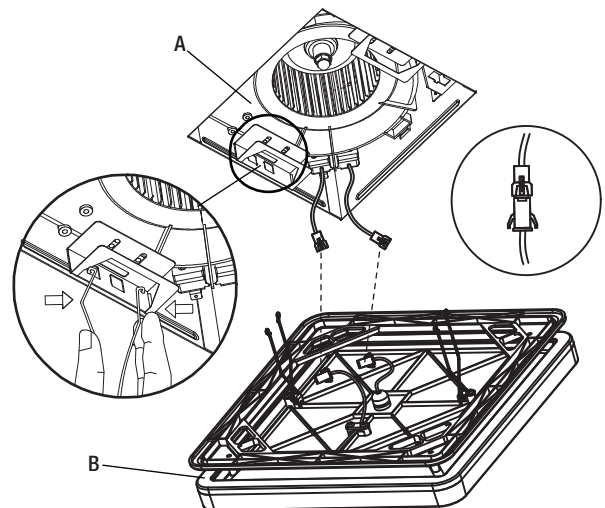


11 Installing the grille

- Join the connectors for the light from the fan housing (A) to the grille (B). The grille (B) must be connected BEFORE turning on power to the fan.
- Pinch the mounting springs on the grille (B) and insert them into the narrow rectangular slots inside the fan (A). Push the grille (B) up toward the ceiling.
- Turn on electricity at the breaker box after finishing installation.



NOTE: Make sure the mounting spring is properly loaded into the fan slots.

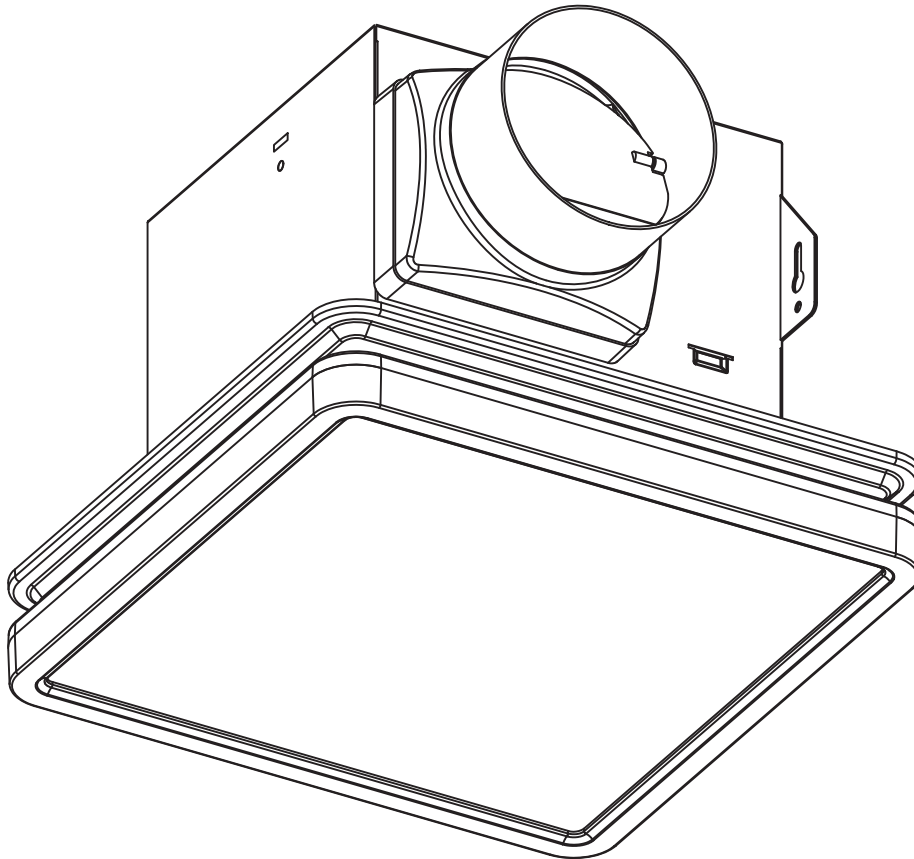




GUÍA DE USO Y CUIDADO

AK1314K2-W
AK1314K2-B
AK1314K2-S

VENTILADOR DECORATIVO CON LUZ LED



¿Preguntas, problemas, piezas faltantes?

Antes de regresar a la tienda, llame al Servicio al Cliente de AKICON de lunes a viernes de 8 a.m. a 6 p.m., hora estándar del este.

TOLL FREE: +1 (888) 828 2025

service@akiconhvac.com

akiconhvac.com

Índice

Información de seguridad	13
Garantía	14
Especificaciones del producto	14
Instalación típica	14
Antes de la instalación	15
Diagramas de cableado	15
Instrucciones del conector rápido	15
Planificación de la instalación	15
Herramientas requeridas	16
Contenido del paquete	16

Instalación - Construcción nueva	17
Instalación - Construcción existente	19
Funcionamiento del ventilador de conducto	22
Cuidado y mantenimiento	22
Resolución de problemas	22

Información de seguridad

LEA Y ENTIENDA ESTE MANUAL POR COMPLETO ANTES DE INTENTAR ENSAMBLAR, OPERAR O INSTALAR EL PRODUCTO.

1. Desconecte siempre la fuente de alimentación antes de reparar el ventilador, el motor o la caja de conexiones.
2. Cumpla con todas las normas eléctricas, de seguridad y de construcción locales, así como con NEC (National Electrical Code) y OSHA (Seguridad y Salud Ocupacional).
3. El suministro de alimentación del servicio eléctrico debe ser de 120 voltios, 60 hercios.
4. Este producto debe conectarse correctamente al conductor de conexión a tierra del circuito de alimentación.
5. No doble ni retuerza los cables de alimentación.
6. No use este ventilador con ningún dispositivo de control de estado sólido, tal como un control remoto, un regulador de intensidad o ciertos temporizadores. Los temporizadores mecánicos no son dispositivos de estado sólido.
7. No instale en un techo con un aislamiento mayor que R40.
8. El conducto debe instalarse en línea recta con la menor cantidad de curvas posibles.
9. El conducto debe ser del mismo tamaño que la descarga y no debe reducirse. Reducir el tamaño del conducto puede aumentar el ruido del ventilador.
10. Si esta unidad se va a instalar sobre una bañera o ducha, debe ser apta para la aplicación. Cuando el ventilador se va a instalar en el baño, el ventilador y la bañera deben estar a más de 1 metro entre sí, y el ventilador debe instalarse en el techo al otro lado de la bañera. Aceptable para usar sobre una bañera o ducha cuando se instala en un circuito derivado protegido por GFCI.



ADVERTENCIA: PARA REDUCIR EL RIESGO DE INCENDIO, DESCARGA ELÉCTRICA O LESIONES A LAS PERSONAS, CUMPLA LO SIGUIENTE:

Utilice esta unidad de la manera prevista por el fabricante. Si tiene alguna pregunta, llame al servicio al cliente.



ADVERTENCIA: Antes de reparar o limpiar la unidad, apague el panel de servicio y bloquee los medios de desconexión del servicio para evitar que se encienda accidentalmente la alimentación. Cuando los medios de desconexión del servicio no se pueden bloquear, fije de forma segura un elemento de advertencia prominente, tal como una etiqueta, al panel de servicio.



ADVERTENCIA: El trabajo de instalación y el cableado eléctrico se deben realizar por una persona (o personas) calificada(s) de acuerdo con todos los códigos y normas aplicables, incluida la construcción con clasificación contra incendios.



ADVERTENCIA: Se necesita suficiente aire para la combustión y escape adecuados de los gases a través del tubo de chimenea (chimenea) de los equipos que queman combustible para evitar que el aire fluya en sentido inverso. Siga las pautas y normas de seguridad del fabricante del equipo de calefacción, tales como las que publica la Asociación Nacional de Protección contra Incendios (NFPA), la Sociedad Estadounidense de Ingenieros de Calefacción, Refrigeración y Aire Acondicionado (ASHRAE) y las autoridades locales de códigos.



ADVERTENCIA: No dañe el cableado eléctrico ni otras instalaciones de servicios públicos ocultas al cortar el techo.



ADVERTENCIA: Los ventiladores con ductos siempre deben descargar al aire libre.



PRECAUCIÓN: Usar solamente para ventilación general. No usar para extraer materiales y vapores peligrosos o explosivos.



PRECAUCIÓN: No debe usarse en las áreas para cocinar.



PRECAUCIÓN: Para reducir el riesgo de lesiones personales, instale el ventilador al menos a 7.6 pies (2.1 m) sobre el suelo.

Garantía

3 AÑO DE GARANTÍA LIMITADA QUÉ ES LO QUE CUBRE

Si este producto falla debido a un defecto en los materiales o la mano de obra en cualquier momento durante los primeros TRES años de propiedad, el fabricante lo reemplazará sin cargo, con porte pagado según su criterio. Esta garantía no cubre los productos que hayan sido objeto de abuso, alteración, daño, mal uso, corte o desgaste. Esta garantía no cubre el uso para aplicaciones comerciales. Para reparar este ventilador, utilice solamente piezas de repuesto genuinas provistas por el fabricante para las reparaciones por garantía. El uso de piezas de repuesto que no sean originales anulará su garantía. El fabricante RECHAZA todas las demás garantías implícitas o expresas, incluidas todas las garantías de comercialización y/o idoneidad para un propósito particular. Puesto que algunos estados no permiten las exclusiones o limitaciones en una garantía implícita, es posible que las exclusiones y limitaciones anteriores no se apliquen. Esta garantía le brinda derechos legales específicos y quizás usted tenga también otros derechos que varían según el estado.

Esta garantía está limitada exclusivamente al reemplazo de piezas defectuosas. Se excluyen los cargos de mano de obra y/o por daños durante la instalación, reparación, reemplazo, así como los daños imprevistos o derivados en relación con lo anterior. Todo daño a este producto que sea resultado de negligencia, mal uso, accidente, instalación inadecuada o algún otro uso aparte del previsto INVALIDARÁ ESTA GARANTÍA. El cliente debe pagar los costos de envío para la devolución de un producto que forme parte de un reclamo de la garantía.

Las preguntas relacionadas con reclamaciones de garantía pueden realizarse al +1 (888) 828 2025, de lunes a jueves de 8 a.m. a 6 p.m., y los viernes de 8 a.m. a 5 p.m., hora estándar del Este.

Especificaciones del producto

Flujo de aire: 80 CFM	Consumo de potencia: 22 W
120 V, 60 Hz	Peso: 6.57 lb
Diámetro del conducto: 4 pulgadas	Requisitos de tamaño de la abertura del techo: 7.6 (largo) x 7.3 (ancho) x 6.2 pulgadas (alto)
Nivel de sonido: 2.0 Sones	

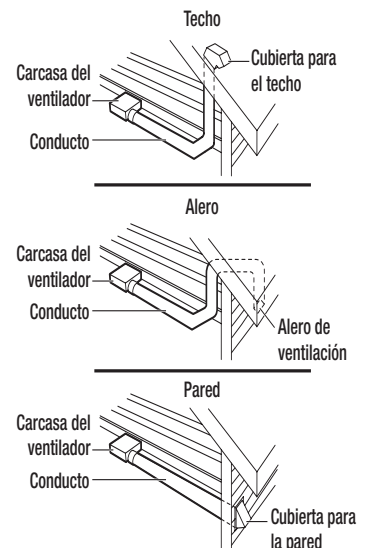
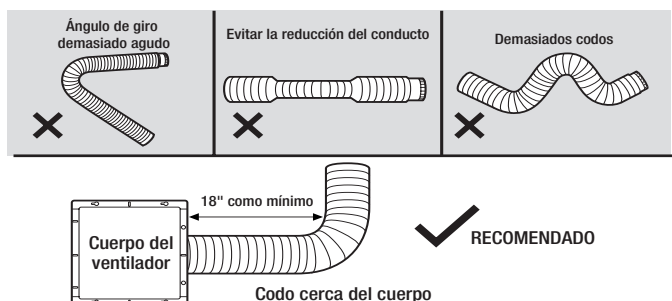
Instalación típica

Los conductos de este ventilador hacia el exterior del edificio ejercen una gran influencia en el flujo de aire, el ruido y el consumo energético del ventilador. Use la ruta más corta y directa posible para obtener el mejor desempeño, y evite instalar el ventilador con conductos más pequeños de lo recomendado. El aislamiento alrededor de los conductos puede reducir la pérdida energética e inhibir el crecimiento de moho. Los ventiladores que se instalen utilizando los conductos existentes podrían no alcanzar su flujo de aire nominal.

No instale un ventilador de conducto en áreas donde el tendido de los conductos requiera una configuración como las que se muestran.

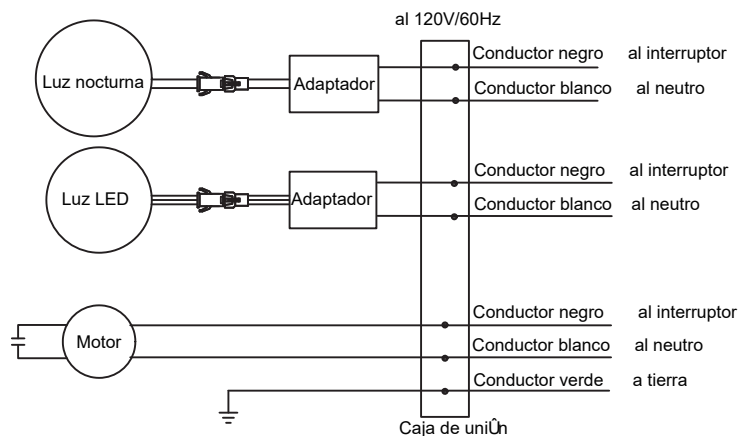
Asegúrese de que las uniones de los conductos y las penetraciones exteriores se sellen con sellador u otro material similar para crear una vía hermética y minimizar la pérdida y obtención de calor del edificio, y así reducir el potencial de condensación.

Asegúrese de que las uniones de los conductos y las penetraciones exteriores se sellen con sellador u otro material similar para crear una vía hermética y minimizar la pérdida y obtención de calor del edificio, y así reducir el potencial de condensación.



Pre-Installation

DIAGRAMAS DE CABLEADO



INSTRUCCIONES DEL CONECTOR RÁPIDO

Solo se debe vender con las instrucciones de instalación.



ADVERTENCIA: El cableado debe cumplir con todos los códigos eléctricos aplicables. Apague la alimentación antes de quitar o instalar los conectores.



ADVERTENCIA: USAR SOLAMENTE PARA CONEXIÓN DE COBRE A COBRE. No usar para alambre de aluminio.

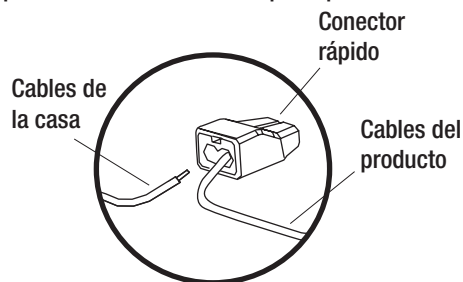


PRECAUCIÓN: La pieza accesoria conector rápido (no se incluye) debe cumplir con las instrucciones de instalación a continuación.

AVISO: El conector es reutilizable en cables sólidos del mismo calibre de cable o más pequeño. No reutilice el conector en cables trenzados.

AVISO: Información importante sobre el cable. Temperatura máxima nominal de 105 °C (221 °F). Máximo de 600 voltios para cables de construcción y máximo de 1000 voltios en letreros y accesorios de iluminación. El rango aceptable de cables incluye: sólido, calibre 12 a 18 AWG.

- Pelar los cables de 3/8 de pulgadas a 1/2 pulgada.
- Sujetar firmemente el cable y empujar el extremo pelado del cable en el puerto abierto del conector. Utilizar solo un conductor por puerto.
- Verifique que el extremo pelado de los cables esté completamente insertado en la parte posterior del conector.



PLANIFICACIÓN DE LA INSTALACIÓN

Asegúrese de tener todas las piezas antes de comenzar la instalación del producto. Compare las piezas con la lista de contenido del paquete y el herraje incluido. Si falta alguna pieza o está dañada, no intente instalar el producto.



ADVERTENCIA: Apague la electricidad en la caja de disyuntores antes de comenzar la instalación.

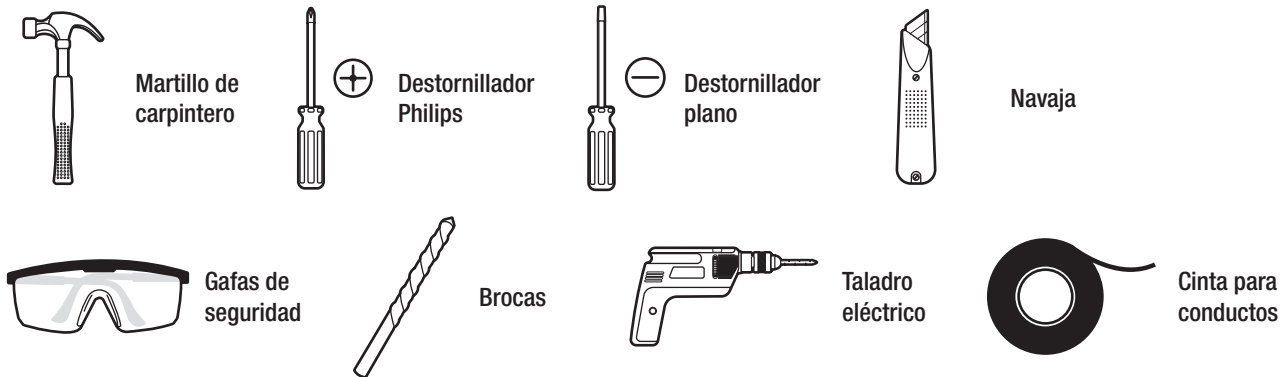


NOTA: La instalación puede variar dependiendo de la forma en que se instaló el ventilador de baño anterior. Los materiales necesarios para la instalación de su ventilador de baño no se incluyen. Sin embargo, la mayoría están disponibles en su tienda local de mejoramiento del hogar o ferretería.

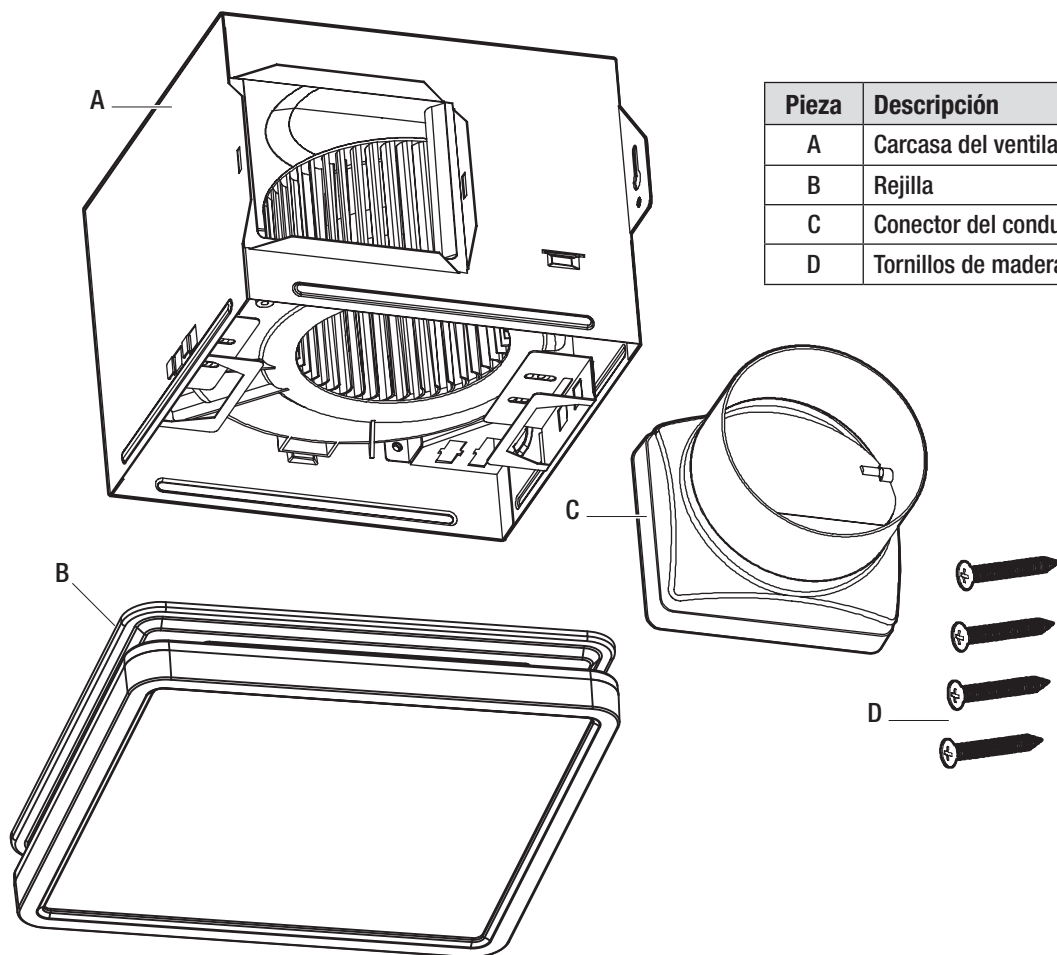
1. Extraiga con cuidado la unidad de la caja.
2. Verifique el área sobre el sitio de la instalación para asegurarse de que el cableado pueda tenderse hacia el sitio planificado, que se pueda tender el conducto y que el área sea suficiente para una ventilación adecuada.
3. Inspeccione los conductos y el cableado antes de proceder con la instalación.
4. Antes de la instalación, proporcione acceso para futuras inspecciones y mantenimiento en un lugar que no interfiera con el trabajo de instalación.
5. Es posible que necesite la ayuda de una segunda persona para instalar este ventilador; una persona en el ático y otra en la habitación.

Antes de la instalación (continuación)

HERRAMIENTAS REQUERIDAS



CONTENIDO DEL PAQUETE



Pieza	Descripción	Cantidad
A	Carcasa del ventilador	1
B	Rejilla	1
C	Conector del conducto	1
D	Tornillos de madera largos (M4 x 30 mm)	4

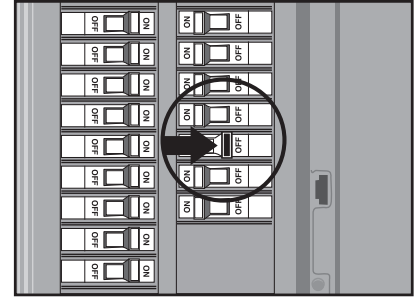
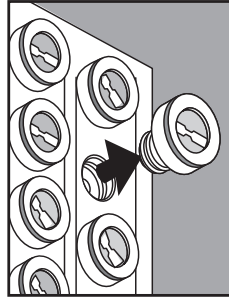
Instalación - Construcción nueva



PRECAUCIÓN: Asegúrese de que la alimentación esté apagada en el panel de servicio antes de comenzar la instalación.

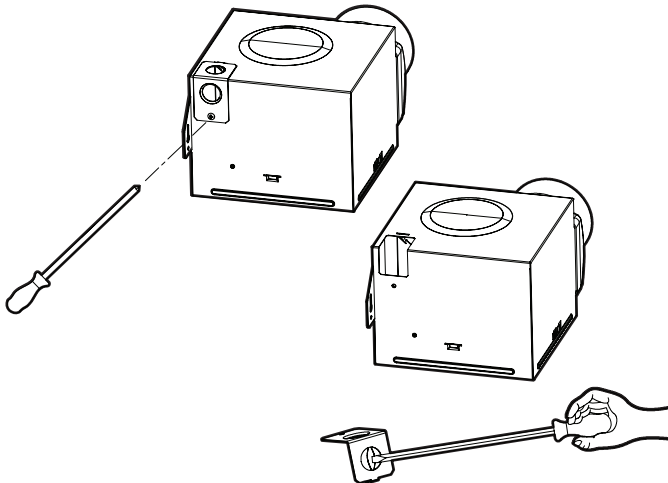


NOTA: Solamente para montaje en el techo.



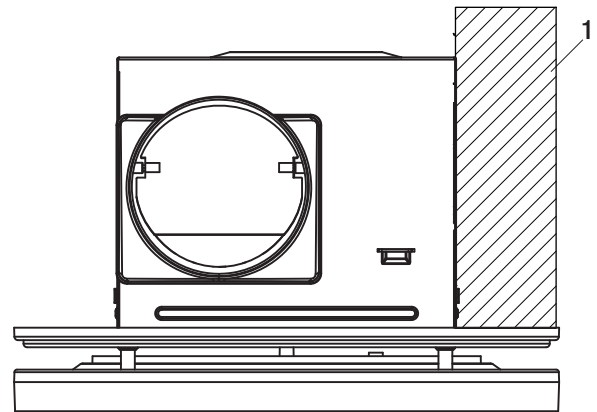
1 Extracción de la caja de conexiones eléctricas de la carcasa

- Quite la cubierta de la caja de conexiones eléctricas en la carcasa del ventilador con un destornillador Phillips (no incluido).
- Quite la tapa del orificio de paso de los cables en la cubierta de la caja de conexiones eléctricas con un destornillador plano (no incluido).



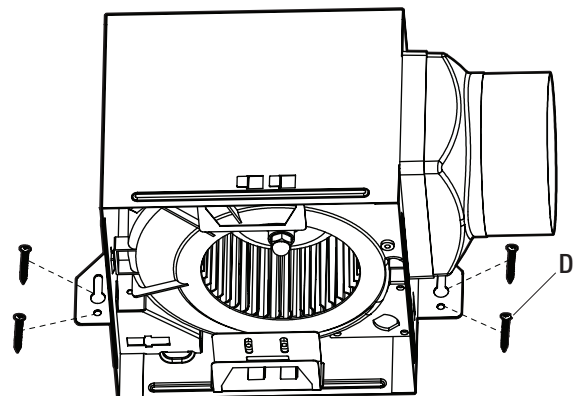
2 Colocación de la carcasa del ventilador

- Coloque la caja del ventilador junto a una vigueta de techo o travesaño de pared. La carcasa del ventilador debe estar nivelada y perpendicular a la vigueta o travesaño (1).



3 Montaje de la carcasa del ventilador

- Monte el alojamiento del ventilador en la vigueta utilizando cuatro tornillos largos de madera (D) donde se indica.



Instalación - Construcción nueva (continuación)

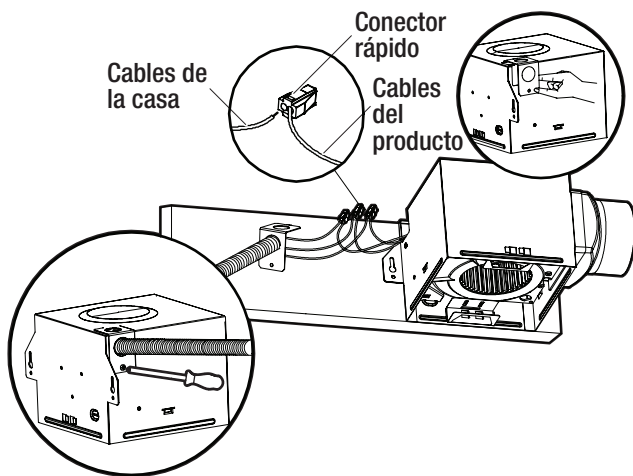
4 Conexión de los cables de la casa y del ventilador

- Pase el cable a través del orificio y colóquelo en la caja de conexiones (no se incluye). Con un conector rápido, asegure el cableado de 120 V CA de la casa que proviene del interruptor de pared al ventilador como se muestra en el diagrama de cableado. El conductor calibre 14 AWG es el más pequeño que se utilizará para el cableado del circuito derivado.



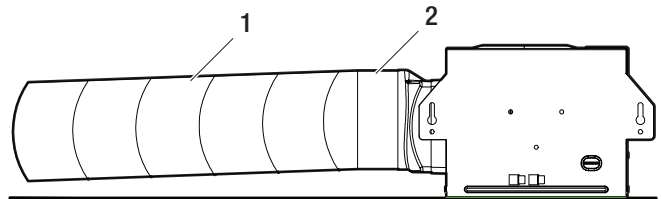
PRECAUCIÓN: Asegúrese de que la alimentación esté apagada en el panel de servicio antes de comenzar la instalación.

- Empuje los cables hacia atrás a través del orificio. Vuelva a colocar la tapa de la caja de conexiones eléctricas.



5 Instalación del conducto

- Instale un conducto circular de 4 pulgadas (no incluido) y asegúrelo con cinta para conductos o abrazaderas (no incluidas).
- Terminación del trabajo en el techo. El orificio del techo debe estar alineado con el borde de la carcasa del ventilador.

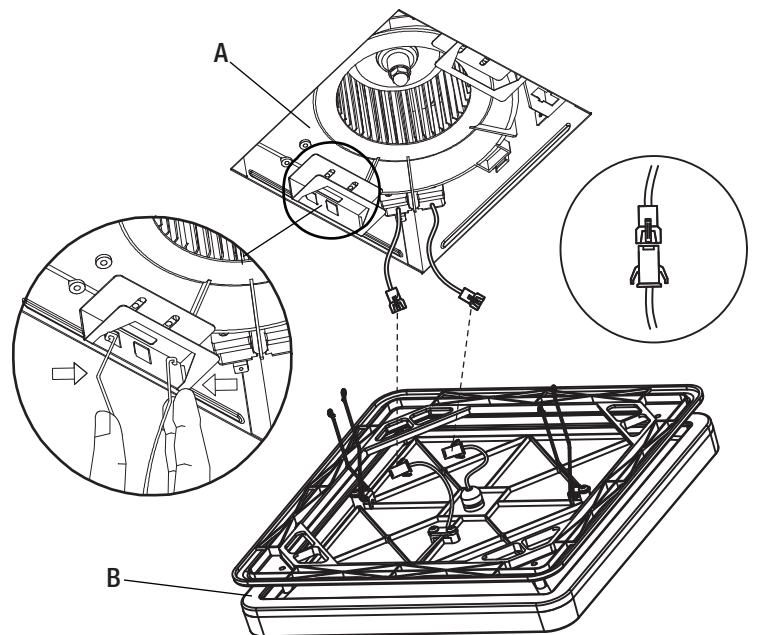


6 Instalación de la rejilla

- Unir el conector para la luz de la carcasa del ventilador (A) a la rejilla (B). La rejilla (B) debe estar conectada antes de encender el ventilador.
- Apriete los resortes de montaje en la rejilla (B) e insértelos en las ranuras rectangulares estrechas dentro del ventilador (A). Empuje la rejilla (B) hacia el techo.
- Encienda la electricidad en la caja de disyuntores después de terminar la instalación.



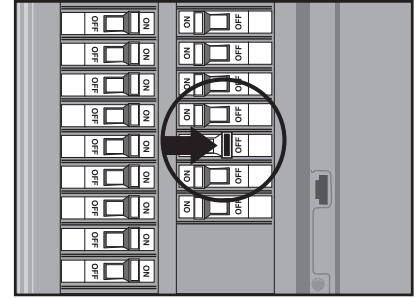
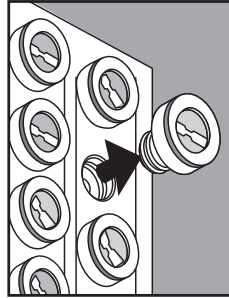
NOTA: Asegúrese de que el resorte de montaje esté correctamente cargado en las ranuras del ventilador.



Instalación - Construcción existente

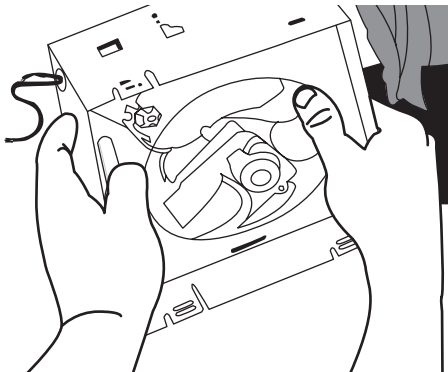


PRECAUCIÓN: Asegúrese de que la alimentación esté apagada en el panel de servicio antes de comenzar la instalación.



1 Extracción del ventilador existente

- Extraiga el ventilador antiguo del techo.



2 Medición de la abertura del techo

- Mida la abertura para asegurarse de que sea lo suficientemente grande para acomodar el cuerpo del ventilador nuevo (A) (7.60 x 7.30 pulgadas).

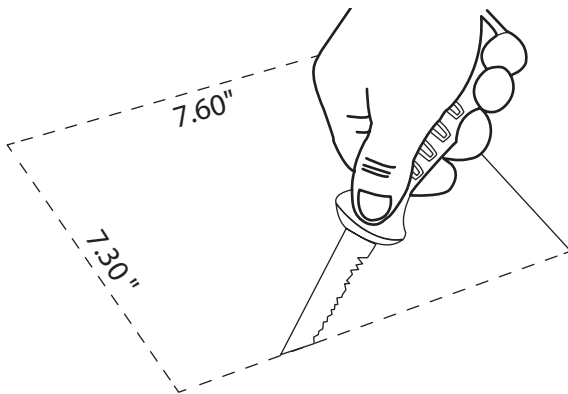


NOTA: El lado de la abertura de 7.30 pulgadas debe estar a ras con la vigueta.



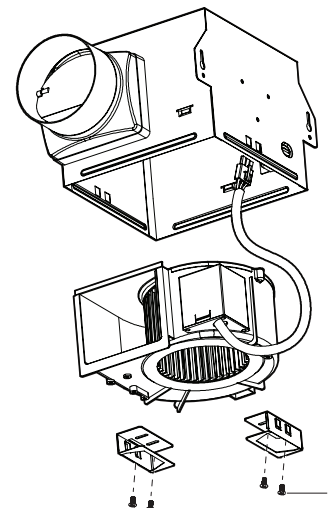
3 Ampliación de la abertura (opcional)

- Si este ventilador no reemplaza a un ventilador antiguo, asegúrese de cortar una abertura de 7.60 x 7.30 pulgadas para el cuerpo del ventilador (A).
- **ASEGÚRESE DE QUE EL LADO DE LA ABERTURA DE 7.30 PULGADAS ESTÁ A RAS CON LA VIGUETA PARA LA INSTALACIÓN DESDE ABAJO.**



4 Extracción del conjunto del motor del ventilador

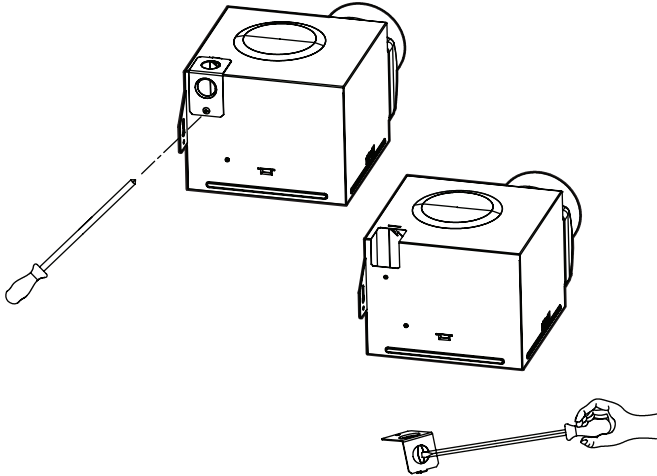
- Saque los cuatro tornillos (1) que sostienen el conjunto del motor del ventilador en su lugar. Extraiga el conjunto del motor del ventilador de la caja del ventilador. Desenchufe la unidad de alimentación del ventilador.



Instalación - Construcción existente (continuación)

5 Extracción de la caja de conexiones eléctricas de la carcasa

- Quite la cubierta de la caja de conexiones eléctricas en la carcasa del ventilador con un destornillador Phillips (no incluido). Quite la tapa del orificio de paso de los cables en la cubierta de la caja de conexiones eléctricas con un destornillador plano (no incluido).



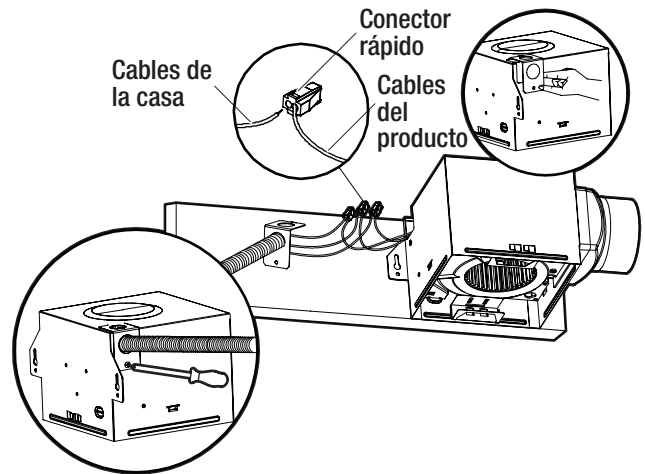
6 Conexión de los cables de la casa y del ventilador

- Pase el cable a través del orificio y colóquelo en la caja de conexiones (no se incluye). Con un conector rápido, asegure el cableado de 120 V CA de la casa que proviene del interruptor de pared al ventilador como se muestra en el diagrama de cableado. El conductor calibre 14 AWG es el más pequeño que se utilizará para el cableado del circuito derivado.



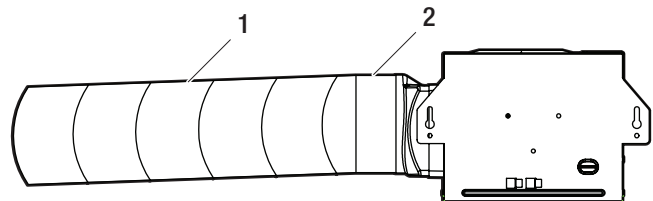
PRECAUCIÓN: Asegúrese de que la alimentación esté apagada en el panel de servicio antes de comenzar la instalación.

- Empuje los cables hacia atrás a través del orificio. Vuelva a colocar la tapa de la caja de conexiones eléctricas.



7 Instalación del conducto

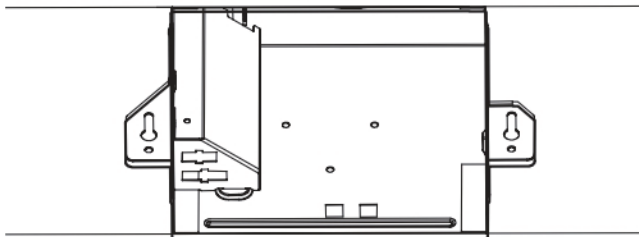
- Instale un conducto circular de 4 pulgadas (no incluido) (1) y asegúrelo con cinta para conductos o abrazaderas (no incluidas) (2).
- Terminación del trabajo en el techo. El orificio del techo debe estar alineado con el borde de la carcasa del ventilador.



Instalación - Construcción existente (continuación)

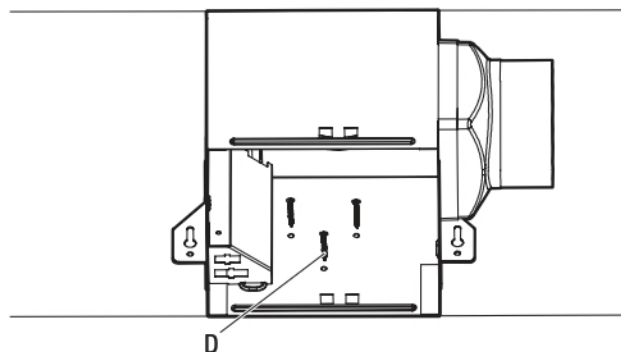
8 Inserción de la carcasa del ventilador

- Inserte la carcasa del ventilador a través del orificio existente en el techo. La carcasa del ventilador debe estar nivelada y perpendicular a la vigueta o travesaño.



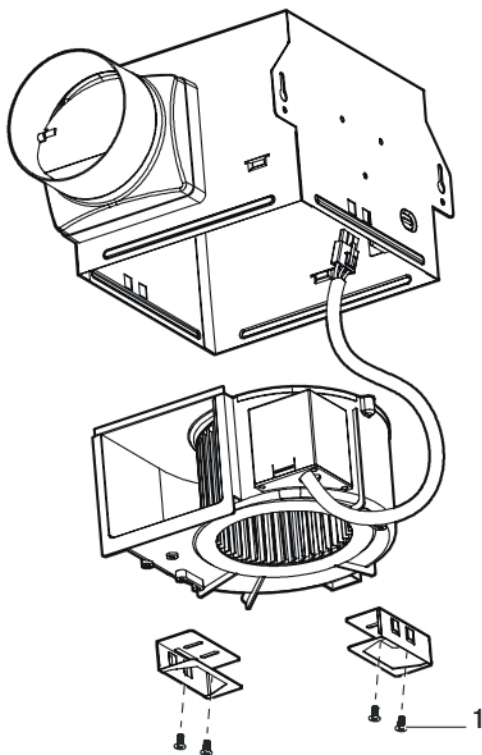
9 Montaje de la carcasa del ventilador en la vigueta

- Monte la carcasa del ventilador en la vigueta utilizando tres tornillos largos de madera (D) donde se indica mediante flechas dentro de la carcasa del ventilador.



10 Reconexión del conjunto del motor

- Vuelva a conectar el conjunto del motor a la unidad de alimentación. Vuelva a colocar el conjunto del motor con los cuatro tornillos (1) que extrajo en el paso 5.

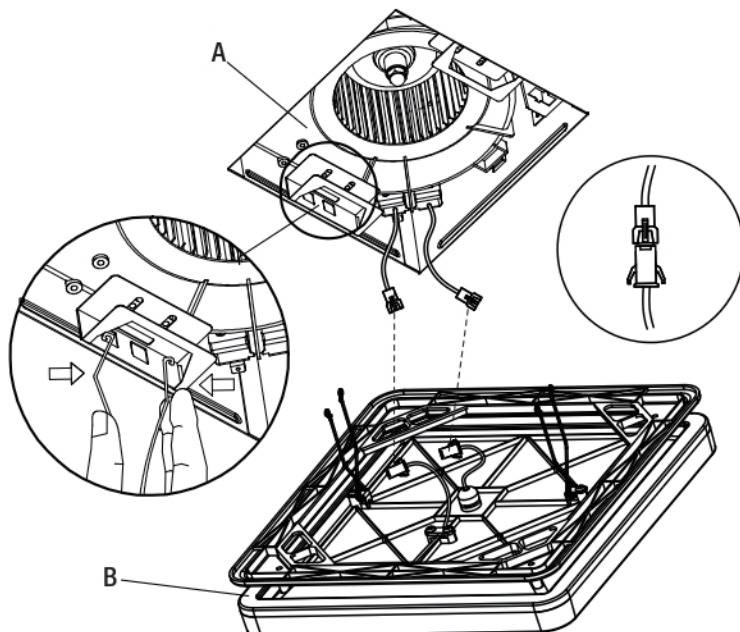


11 Instalación de la rejilla

- Unir el conector para la luz de la carcasa del ventilador (A) a la rejilla (B). La rejilla (B) debe estar conectada antes de encender el ventilador.
- Apriete los resortes de montaje en la rejilla (B) e insérteles en las ranuras rectangulares estrechas dentro del ventilador (A). Empuje la rejilla (B) hacia el techo.
- Encienda la electricidad en la caja de disyuntores después de terminar la instalación.



NOTA: Asegúrese de que el resorte de montaje esté correctamente cargado en las ranuras del ventilador.



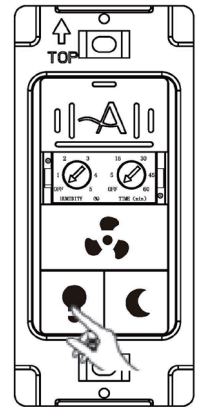
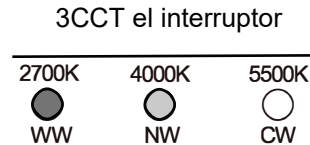
Funcionamiento del ventilador de conducto

Elija un interruptor adecuado de montaje en la pared

Conecte correctamente los cables con un interruptor de montaje en la pared de tres rockeros.

(Se recomienda el interruptor de Akicon AK-SW-FLHT)

- Para controlar ventilador: encender/apagar por el primer rockero
- Para controlar la luz principal: alterne el segundo rockero/apagado/encendido para cambiar CCT. Después de 7S apagado, la luz mantiene el último recuerdo cuando vuelve a encender.
- Para controlar la luz nocturna: encender/apagar por el tercer rockero.



Cuidado y mantenimiento



ADVERTENCIA: Desconecte la fuente de alimentación antes de realizar el mantenimiento.

- Consulte la INFORMACIÓN DE SEGURIDAD antes de continuar. El mantenimiento de rutina debe hacerse al menos una vez al año.
- Nunca utilice solventes, diluyentes o productos químicos agresivos para limpiar el ventilador.
- No permita que entre agua en el motor.
- No sumerja las partes metálicas en agua.

Resolución de problemas

Problema	Solución	
El ventilador parece ser más ruidoso de lo que debería.	El valor de CFM es demasiado grande.	Asegúrese de que la calificación de CFM en el ventilador coincida con la cantidad de pies cuadrados de su habitación.
	El regulador de tiro está dañado o no funciona correctamente.	Revise el regulador de tiro para asegurarse de que se está abriendo y cerrando correctamente. Si el regulador de tiro se ha dañado, llame al Servicio al Cliente.
	La curva en el conducto está demasiado cerca de la descarga del ventilador.	Asegúrese de no tener curvas cerradas en el conducto a menos de 18 pulgadas de la descarga del ventilador.
	La descarga del ventilador se reduce para adaptarse a un conducto más pequeño.	Utilice los conductos de tamaño recomendado para reducir el ruido del ventilador.
	El cuerpo del ventilador no está bien sujeto.	Asegúrese de que el ventilador esté bien sujeto a las vigas del techo.
El ventilador no está despejando la habitación.	No hay suficiente entrada de flujo de aire en la habitación.	Asegúrese de que haya una puerta o ventana entreabierta o abierta para permitir el flujo de aire. El ventilador no puede extraer aire de la habitación si el flujo de aire no es suficiente para la extracción.
	El valor de CFM no es suficiente.	Asegúrese de que la calificación de CFM en el ventilador cumpla con los requisitos de tamaño de su habitación.
		<p>NOTA: Usar un pañuelo de papel no es el método correcto para determinar si el ventilador está funcionando adecuadamente. Si el ventilador despeja el vapor de la habitación en aproximadamente 15 minutos después de que usted termine de ducharse, entonces el ventilador funciona correctamente.</p> 